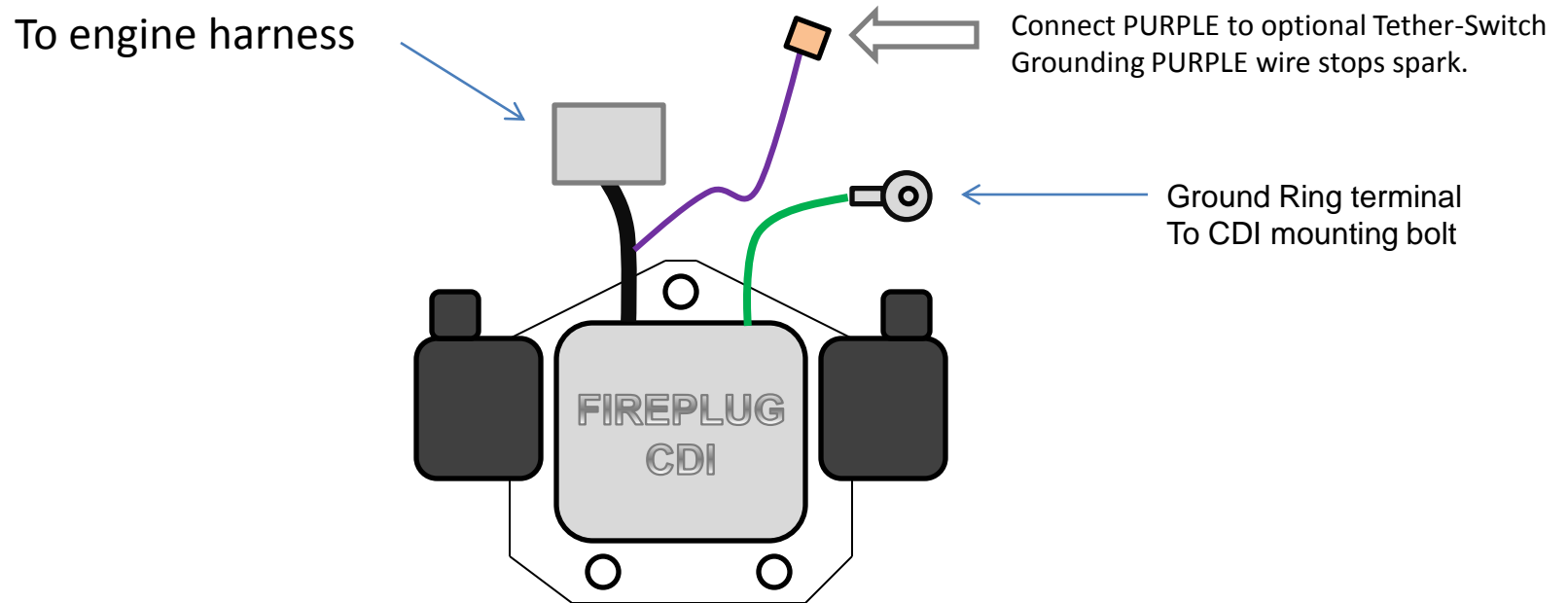


# FIREPLUG POLAR-FIRE CDI CONNECTIONS



If not using a 2-wire Tether or Kill-Switch, PURPLE wire not connected  
Original 3-wire kill-switch requires no additional wiring.